



UHP Microwave Antennas

Netkrom Technologies

2 ft. (0.6 m) Ultra-High Performance Microwave Parabolic Dish Antenna

General Specifications

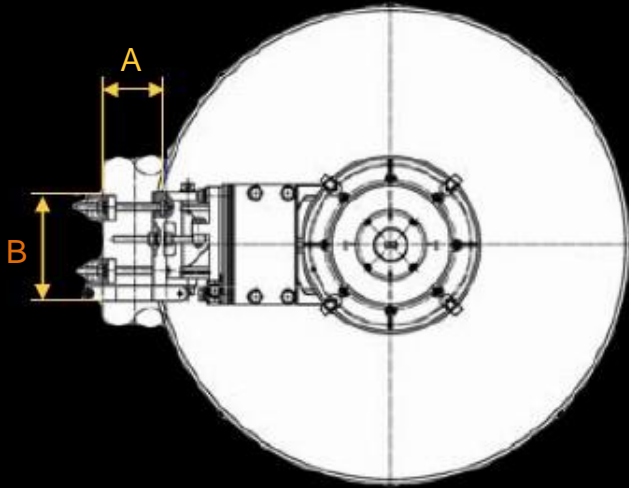


Diameter	2 ft. (0.6 m)
Polarization	Single V or H; pre-set V (Vertical)
Antenna Interface	Integrated
	Standard Flange
Antenna Color	Light gray
Radome Color	Light gray
Radome Material Description	Anti-ultraviolet ABS material
Packing	Carton
RoHS 2002/95/EC	Compliant

Specifications - Electrical

Antenna Type	UHP-MW-7-2	UHP-MW-11-2	UHP-MW-13-2	UHP-MW-15-2	UHP-MW-18-2	UHP-MW-23-2	UHP-MW-26-2	UHP-MW-38-2	
Frequency Band (GHz)	7.125-8.500	10.70-11.70	12.75-13.25	14.40-15.35	17.70-19.70	21.20-23.60	24.25-26.50	37.00-40.00	
Interface	Integrated	R84	R100	R120	R140	R220	R220	R220	0.219" dia
	Standard Flange	UBR84	UBR100	UBR120	UBR140	UBR220	UBR220	UBR220	UBR320
Gain (dBi) Low	30.4	34.0	35.5	36.5	38.3	39.9	41.1	44.7	
Gain (dBi) Mid	31.2	34.3	35.6	36.8	38.8	40.4	41.5	45.1	
Gain (dBi) High	32.0	34.7	35.8	37.1	39.3	40.8	41.8	45.4	
3dB BW (°)	4.5	3.1	2.7	2.4	1.9	1.6	1.4	0.9	
VSWR	1.30	1.30	1.30	1.30	1.30	1.30	1.30	1.30	
F/B Ratio (dB)	57	60	61	65	67	64	67	63	
XPD (dB)	30	30	30	30	30	30	30	30	
ETSI Standard	R1, C3	R1, C3	R1, C3	R2, C3	R2, C3	R3, C3	R4, C3	R5, C3B	

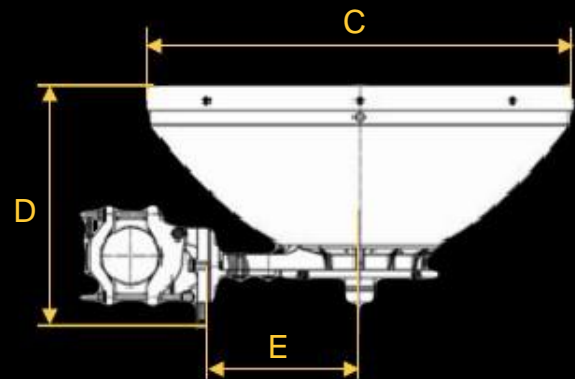
Specifications - Mechanical



Antenna Dimensions

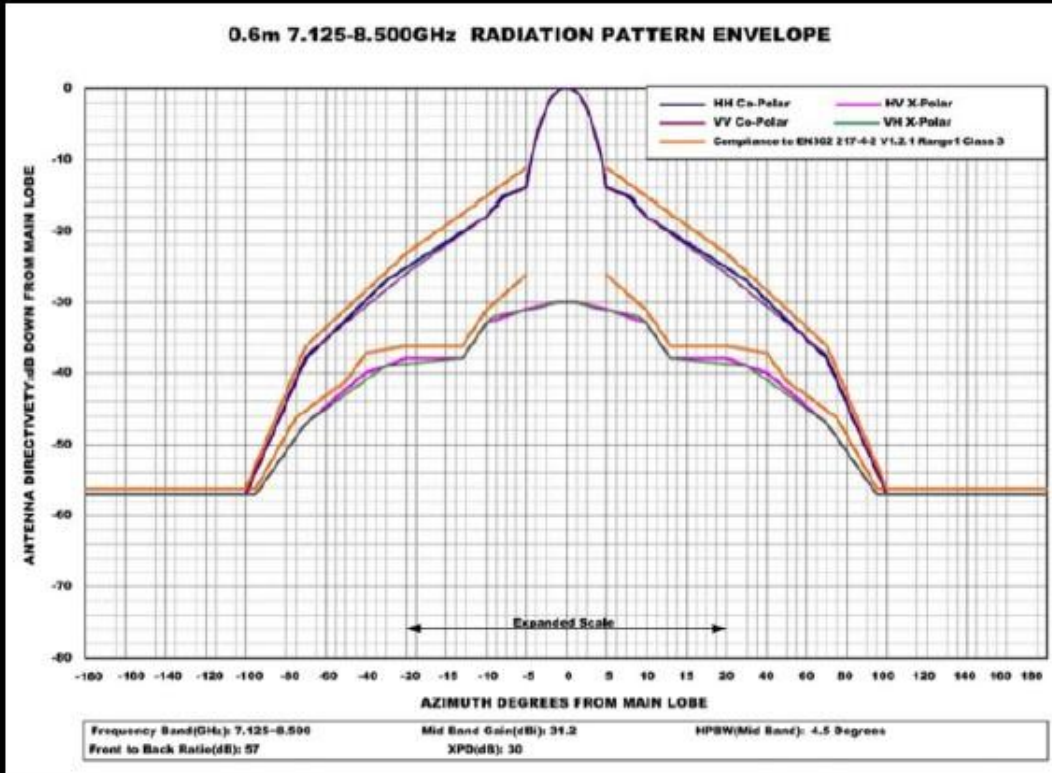
A	2.0 - 4.49 in. (5.1 - 11.4 cm)
B	6.06 in. (15.4 cm)
C	26.61 in. (67.6 cm)
D	15.35 in. (39.0 cm)
E	9.37 in. (23.8 cm)

Wind Velocity Operational	78.3 mph (126 km/h)
Wind Velocity Survival Rating	124 mph (200 km/h)
Coarse Azimuth	360°
Fine Azimuth Adjustment	±15°
Course Elevation	±10°
Fine Elevation Adjustment	±15°
Mounting Pipe Diameter	2.0 - 4.49 in. (5.1 - 11.4 cm)
Operation Pressurization	50 KPa
Operation Temperature	-49 - 140 °F (-45 - +60 °C)
Storage Temperature	-67 - 158 °F (-55 - +70 °C)
Ice Load	1 in. (25 mm)
Strengthening Rod	N/A
Adjustable Rod	N/A
Net Weight	22.05 lb. (10 kg)

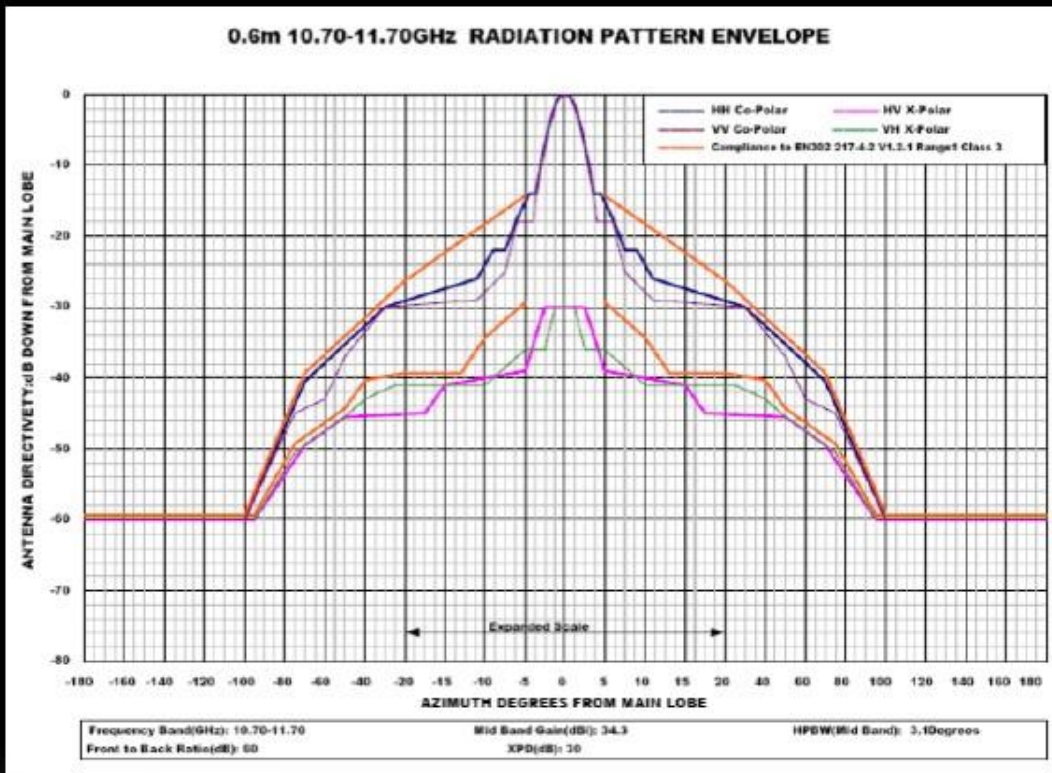


Radiation Pattern Envelope

NTK-UHP-MW-7-2

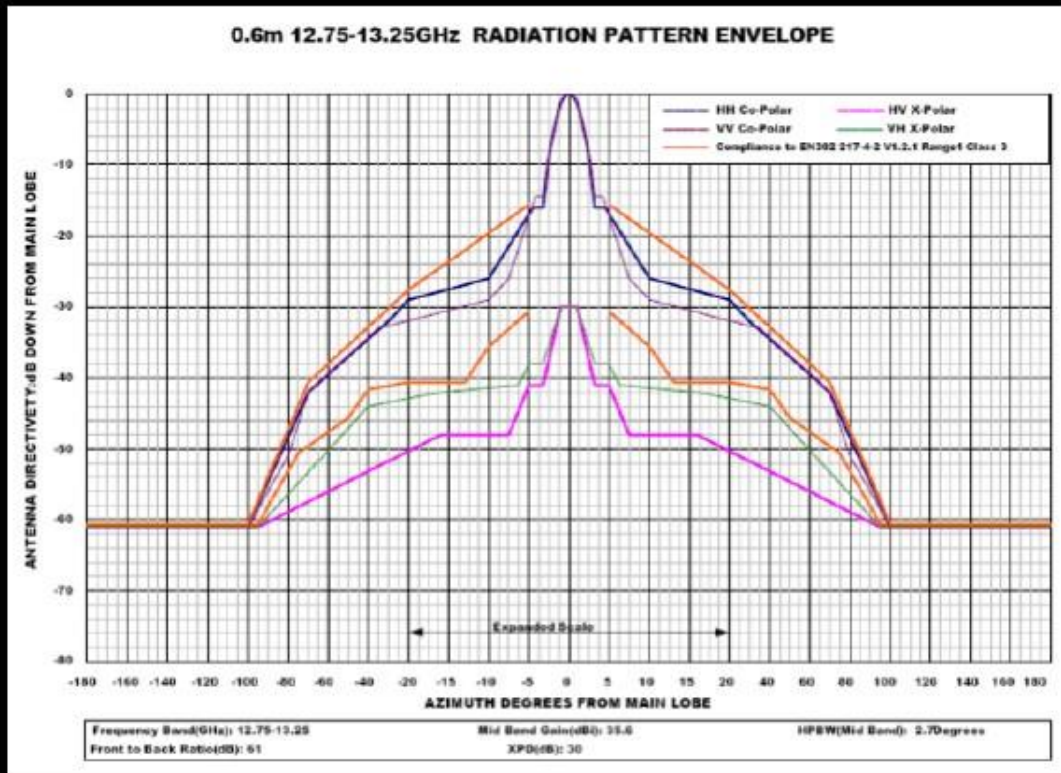


NTK-UHP-MW-11-2

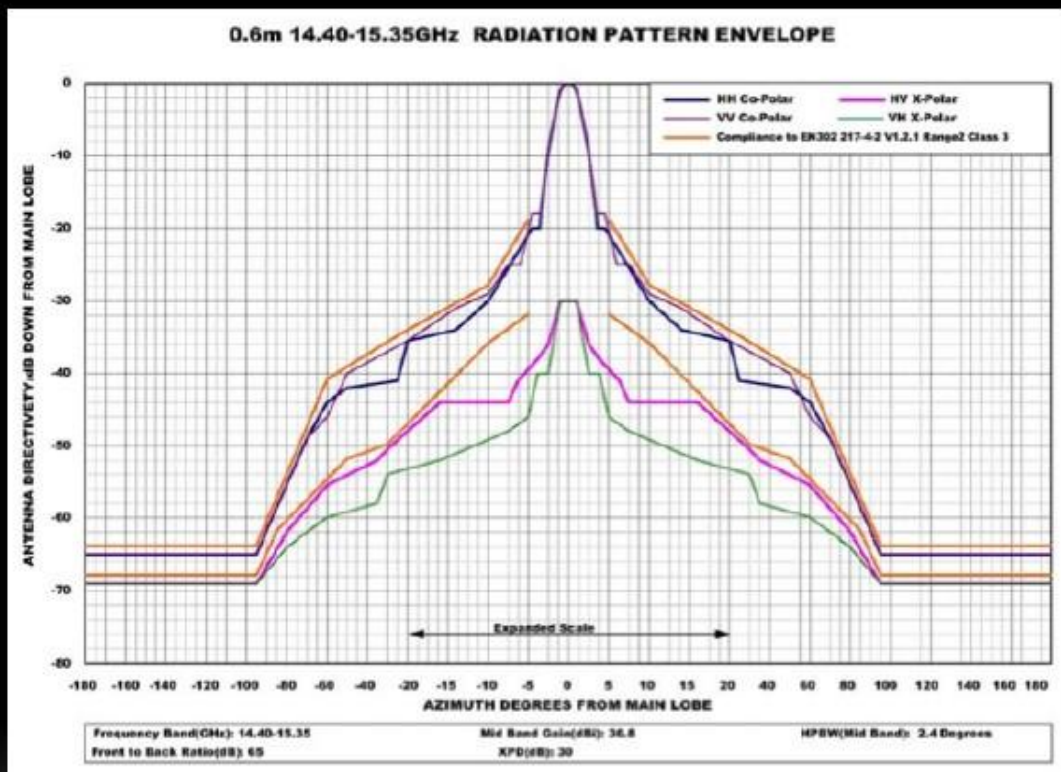


Radiation Pattern Envelope

NTK-UHP-MW-13-2

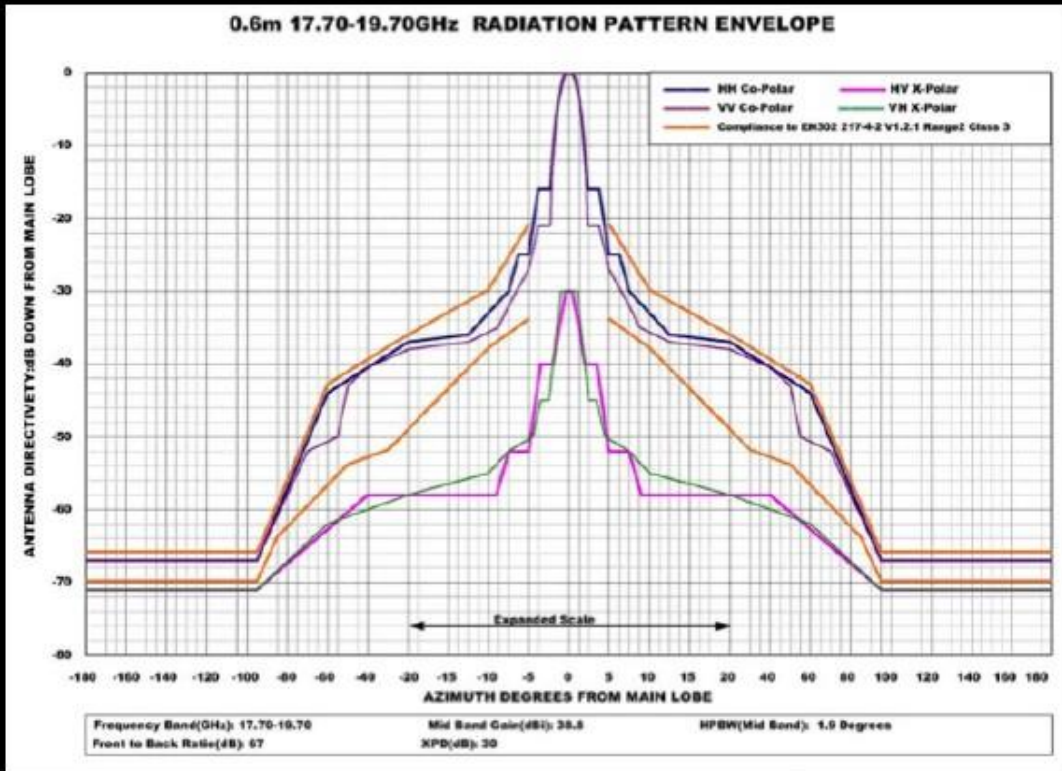


NTK-UHP-MW-15-2

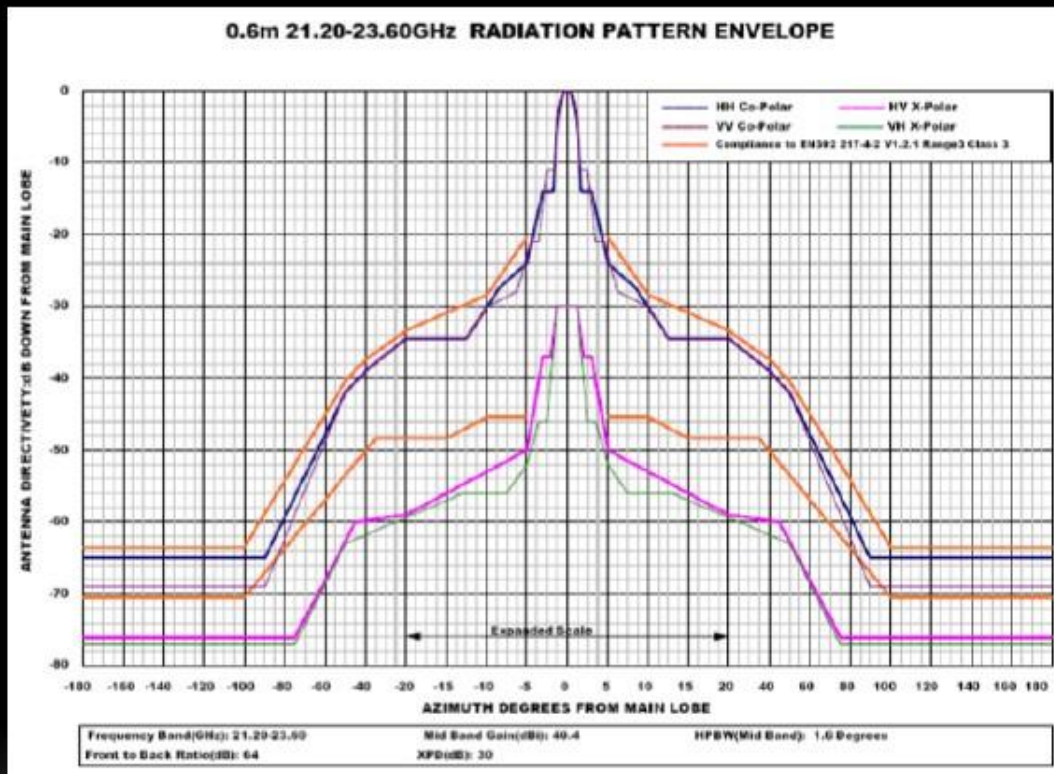


Radiation Pattern Envelope

NTK-UHP-MW-18-2

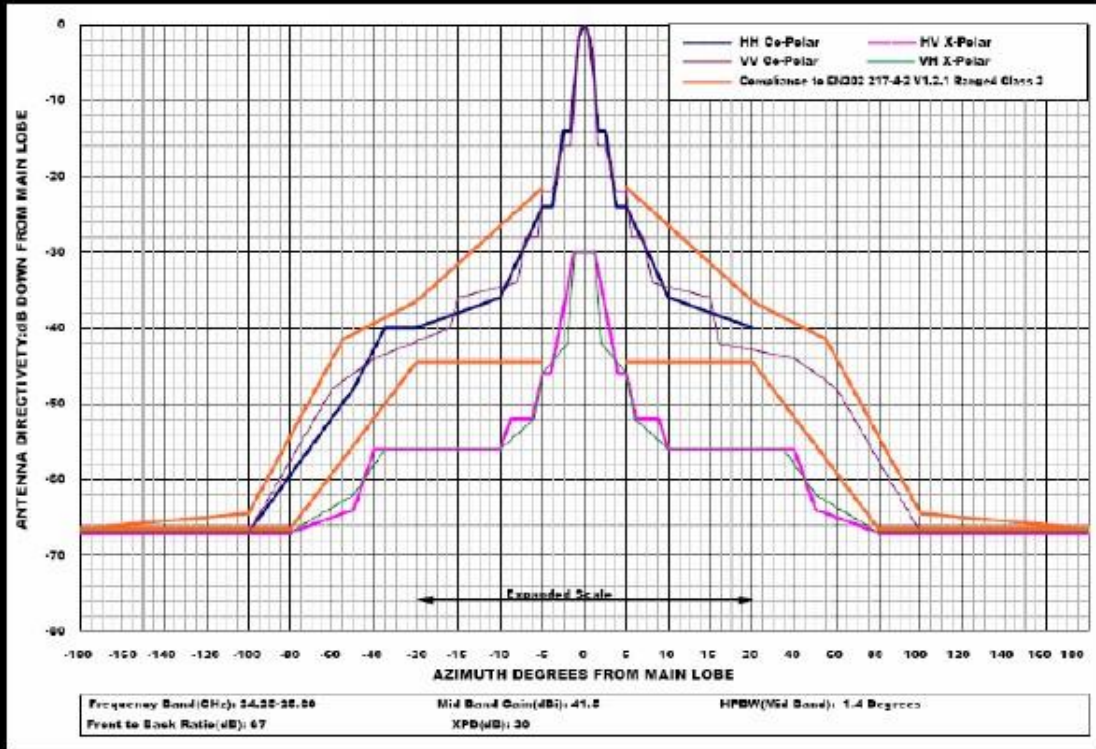


NTK-UHP-MW-23-2

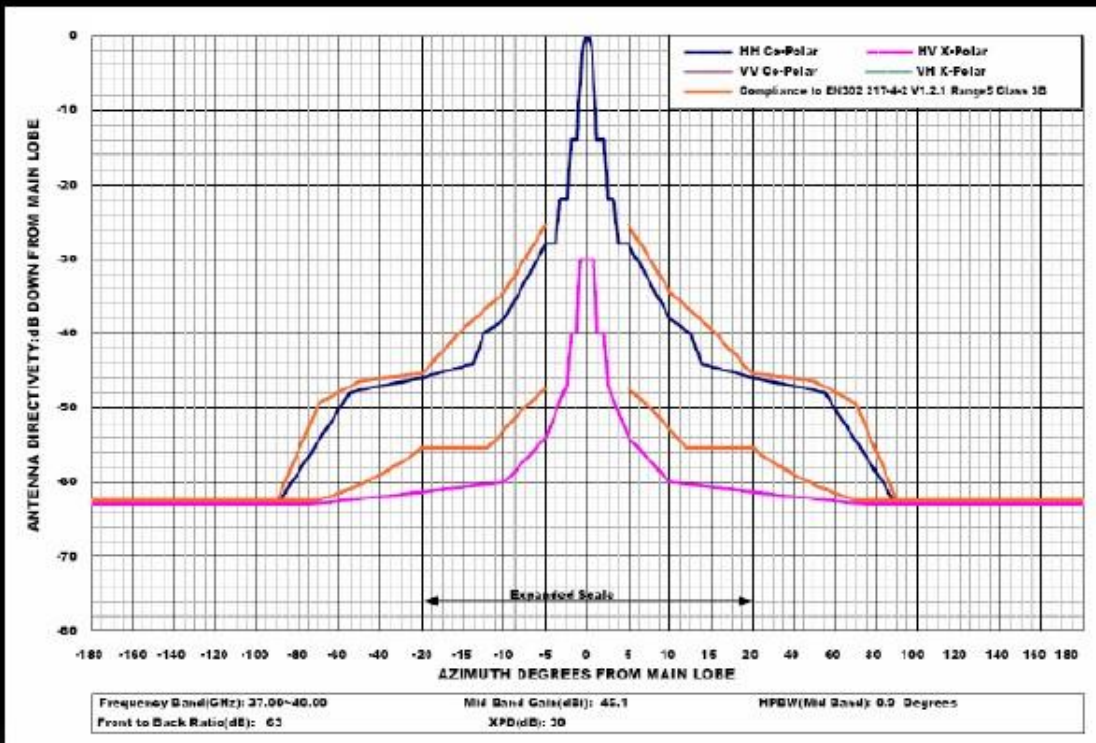


Radiation Pattern Envelope

NTK-UHP-MW-26-2

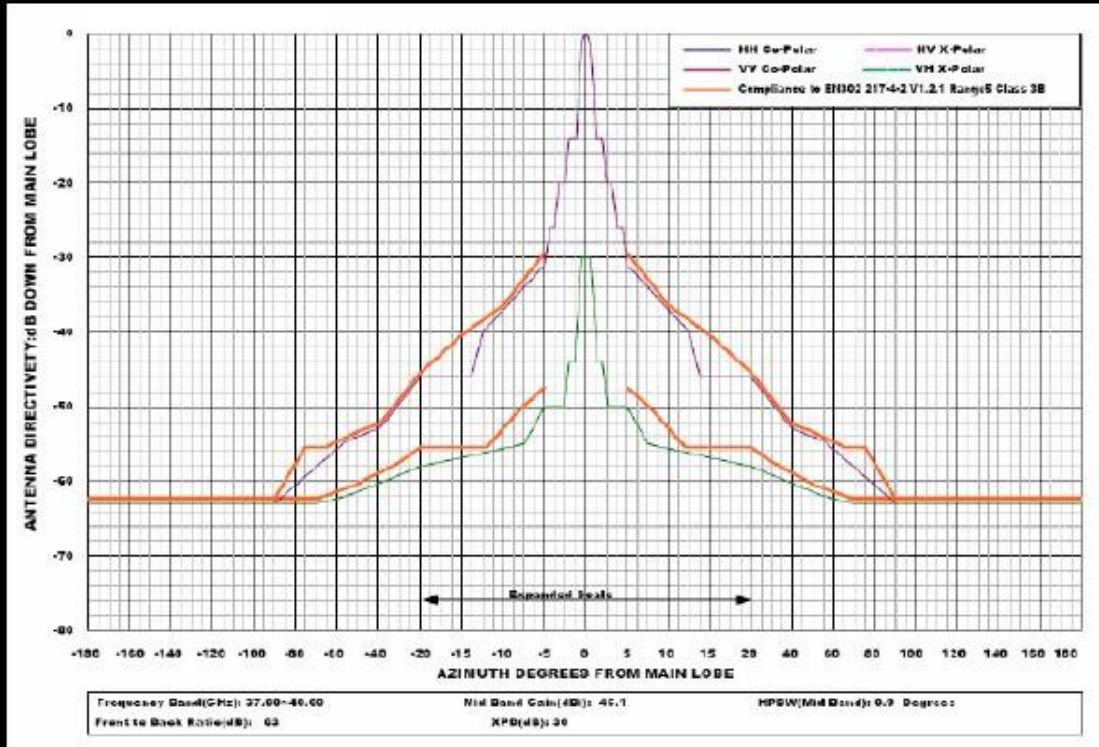


NTK-UHP-MW-38-2 (HH&HV)



Radiation Pattern Envelope

NTK-UHP-MW-38-2 (VV&VH)



Ordering Information:

- **NTK-UHP-MW-2FT:** 2 Ft Ultra High Performance Parabolic Dish Antennas for Licensed Spectrum (7 – 40GHz)